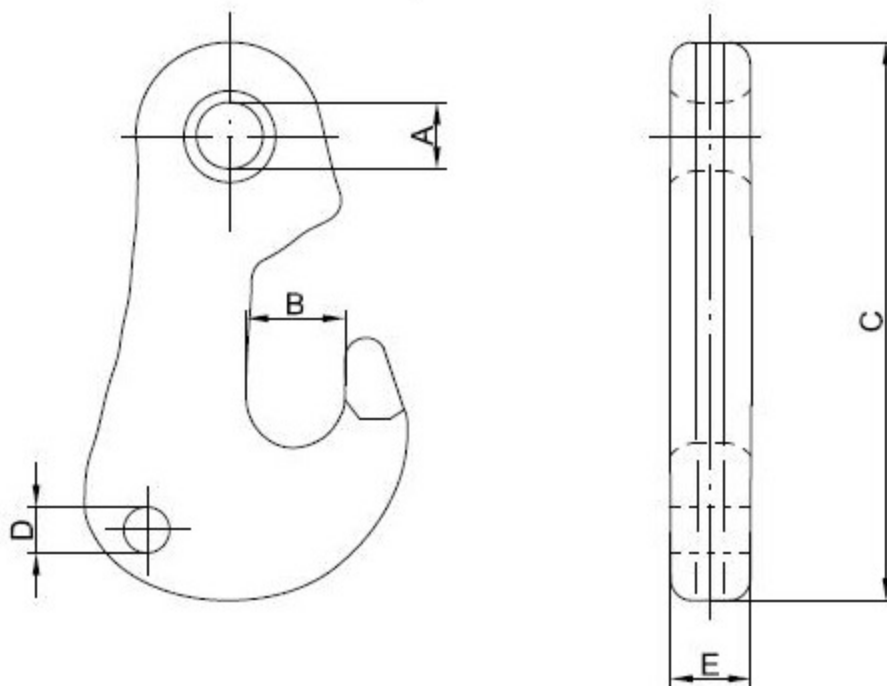


Anchor Line Hook

- Material : High Tensile Forged Steel
- Safety Factor : 4 times
- Finish : Painted, other painting system such as galvanized/ electrostatic spraying on request
- Temperature Range : -40°C ~ 200°C
- Certificates : Proof Load Test Certificate, 3.1 Material Certificate.



Type	SWL ton	MBL ton	A	B	C	D	E
AH015	15	60	38	58	343	32	45
AH020	20	80	40	74	343	32	60
AH025	25	100	52	86	440	38	65
AH030	30	120	62	95	480	40	70
AH050	50	200	80	112	618	45	90
AH080	80	400	90	130	709	62	100