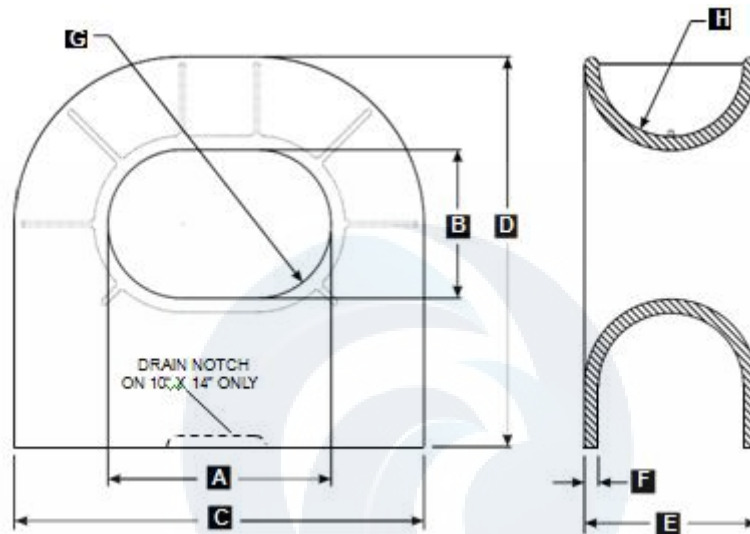


MARINE CHOCKS

Cast Steel Chocks ASTM A27-70-36



MODEL	DESCRIPTION	PART #	DIMENSIONS IN INCHES (MM)								Weight
			A	B	C	D	E	F	G	H	LBS
SKM-1014	ANAMA CHOCK, 10" X 14"	08370-301A	10"	14"	28"	27.25"	14"	.75"	5" R	5.5" R	335
SKM-1218	ANAMA CHOCK, 12" X 18"	08372-301A	12"	18"	33"	31.5"	14"	1.13"	6" R	5.88" R	583

Qingdao Seakong Marine Machinery Co.,Ltd

No.19 Qutangxia Road, Shinan District, Qingdao City, China

Tel. +86 532 89922862 Fax. +86 532 89922862

Email: sales@seakongmarine.com Web: www.seakongmarine.com