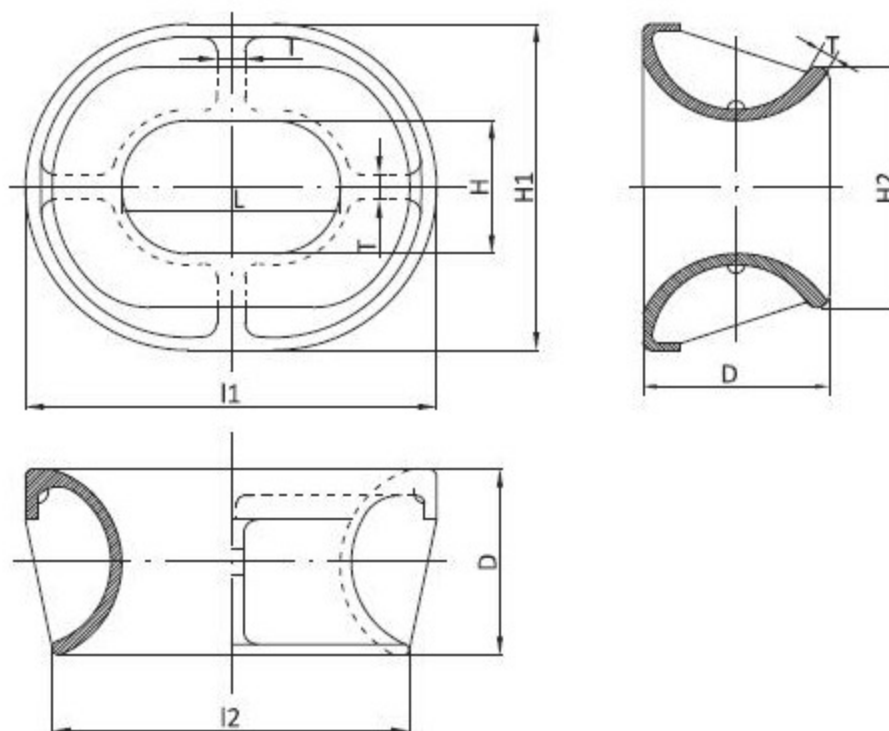


PANAMA CHOCKS

Bulwark Mounted Closed Chocks ISO13729-2012



Nominal Size L x H x D	L1	L2	H1	H2	T	SWL		Weight (Kg)
						KN	t	
250x200x214	516	441	466	306	12	226	23	49
300x250x286	638	554	588	410	16	422	43	100
350x250x333	736	646	636	449	18	549	56	141
400x250x381	834	736	684	450	20	687	70	184
450x250x381	884	786	684	450	20	706	72	194
500x250x381	934	836	684	450	20	765	78	202
400x250x428	882	778	732	515	22	883	90	264
450x250x428	932	828	732	515	22	912	93	276
500x250x428	982	878	732	515	22	932	95	288
500x400x428	982	878	882	665	22	893	91	311
500x250x525A	1 078	976	828	551	24	1 148	117	379
500x400x525A	1 078	978	978	701	24	1 158	118	408
500x250x525B	1 078	976	828	554	26	1 413	144	405
500x400x525B	1 078	978	978	704	26	1 383	141	442

Qingdao Seakong Marine Machinery Co.,Ltd

No.19 Qutangxia Road, Shinan District, Qingdao City, China

Tel. +86 532 89922862 Fax. +86 532 89922862

Email: sales@seakongmarine.com Web: www.seakongmarine.com