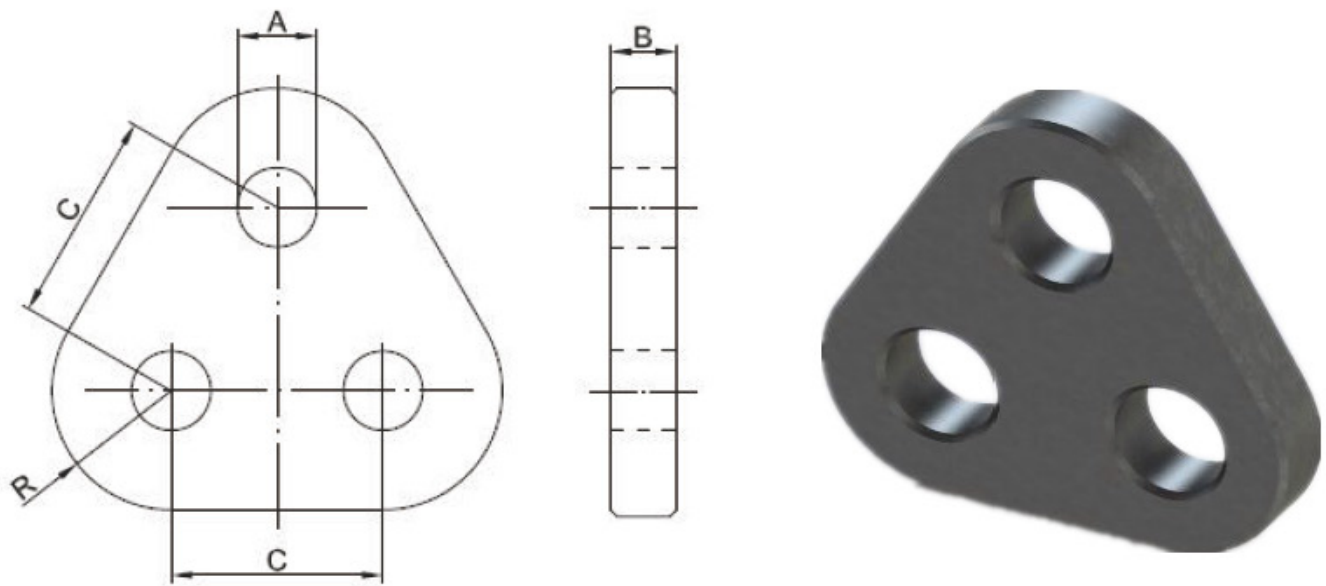


Triangle Plate GN Type



Material: High Tensile Alloy Steel
Safety Factor: 5 times

WLL ton	MBL ton	A mm	B mm	C mm	R mm	Weight (Kg)
17	85	47	35	120	65	10
25	125	55	40	150	80	18
35	175	60	50	160	90	28
55	275	75	70	210	105	58
85	425	90	80	230	135	96
120	600	105	100	280	170	188
150	750	115	110	320	185	256
175	875	115	110	320	195	274
200	1000	140	120	390	215	390
250	1250	150	140	390	240	518
300	1500	160	150	420	250	617
400	2000	185	200	490	300	1170
500	2500	200	200	550	360	1619
600	3000	220	200	600	400	1972